

DATAMARS

LIVESTOCK ID

F310 Reader

USER MANUAL

Version 1.2



DATAMARS

Corporate Headquarters:

Via ai Prati
6930 Bedano-Lugano
Switzerland
Phone: +41 91 935 73 80
Fax: +41 91 945 03 30

Livestock-id@datamars.com

www.datamars.com

© 2013 DATAMARS

Contents:

1	DESCRIPTION	4
1.1	GENERAL DESCRIPTION	4
1.2	FRONT PANEL OVERVIEW	4
1.3	BACK PANEL OVERVIEW	5
2	USER INTERFACE.....	6
2.1	ON BUTTON	6
2.2	BATTERY LEVEL BAR.....	6
2.3	PLAY/PAUSE BUTTON.....	7
2.4	AUTOTUNING.....	7
2.5	MODE BUTTON.....	7
2.5.1	Continuous mode	7
2.5.2	Buffered mode	7
2.5.3	Single mode.....	7
2.6	FILE BUTTON.....	7
2.6.1	Create a new file.....	7
2.7	REC BUTTON.....	7
2.8	BLUETOOTH BUTTON	7
2.8.1	Configure the F310 for the Bluetooth connection.....	8
2.8.2	Search for and recognize the F310 by a host PC	8
2.9	REAL-TIME COMMUNICATION	11
2.10	STATUS LEDS	12
2.10.1	Tag Read LED.....	12
2.10.2	Charge LED.....	12
2.10.3	Tuning LED.....	12
2.11	USB INTERFACE.....	12
2.12	POWER SAFE MODE.....	12
2.13	WRONG COUNTRY CODE IDENTIFICATION	12
3	CONNECTORS	13
3.1	POWER AC INPUT.....	13
3.1.1	AC Fuse.....	13
3.2	POWER DC INPUT	13
3.2.1	DC Fuse	14
3.3	ANTENNA.....	14
3.4	WIRED SYNC.....	14
3.5	I/O.....	15
3.5.1	Input.....	15
3.5.2	Output.....	16
3.6	SERIAL COM INTERFACE.....	16
4	COMMAND INTERFACE	17
4.1	COMMAND OVERVIEW	17
4.2	COMMAND DESCRIPTION.....	18
4.2.1	Command: V.....	18
4.2.2	Command: Esc.....	18
4.2.3	Command: L.....	19
4.2.4	Command: X.....	19
4.2.5	Command: B.....	19
4.2.6	Command: C	19
4.2.7	Command: .V.....	19
4.2.8	Command: .T (only for debug mode)	19
4.2.9	Command: .ATNG.....	20
4.2.10	Command: .DTNG (only for debug mode)	20
4.2.11	Command: .DCHR (only for debug mode)	20
4.2.12	Command: .DBAT (only in battery mode and for debug mode).....	20
4.2.13	Command: .DHMI (only for debug mode)	21
4.2.14	Command: .SHDX.....	21

4.2.15	Command: .RIN.....	21
4.2.16	Command: .SOUT	21
4.2.17	Command: .SDATE	21
4.2.18	Command: .STIME	21
4.2.19	Command: .GDATE.....	21
4.2.20	Command: .GTIME.....	21
4.2.21	Command: .PS	22
4.2.22	Command: .MODE	22
4.2.23	Command: .BLUD	22
4.2.24	Command: .SDCF and .GDCF	22
4.2.25	Command: .SDCH and .GDCH	22
4.2.26	Command: .GLPT.....	22
5	SOFTWARE RUMISOFT	23
5.1	INTRODUCTION	23
5.2	HOW TO INSTALL RUMISOFT	23
5.3	CONFIGURATION OF F310 READER	23
6	SPECIFICATIONS	24
7	WARNINGS	25
7.1	READING DISTANCE IS TOO SHORT.....	25
7.2	BATTERY DOESN'T CHARGE.....	25
8	ANTENNAS	26
8.1	GESANT CATTLE ANTENNA	26
8.2	GESANT OVINE ANTENNA	27

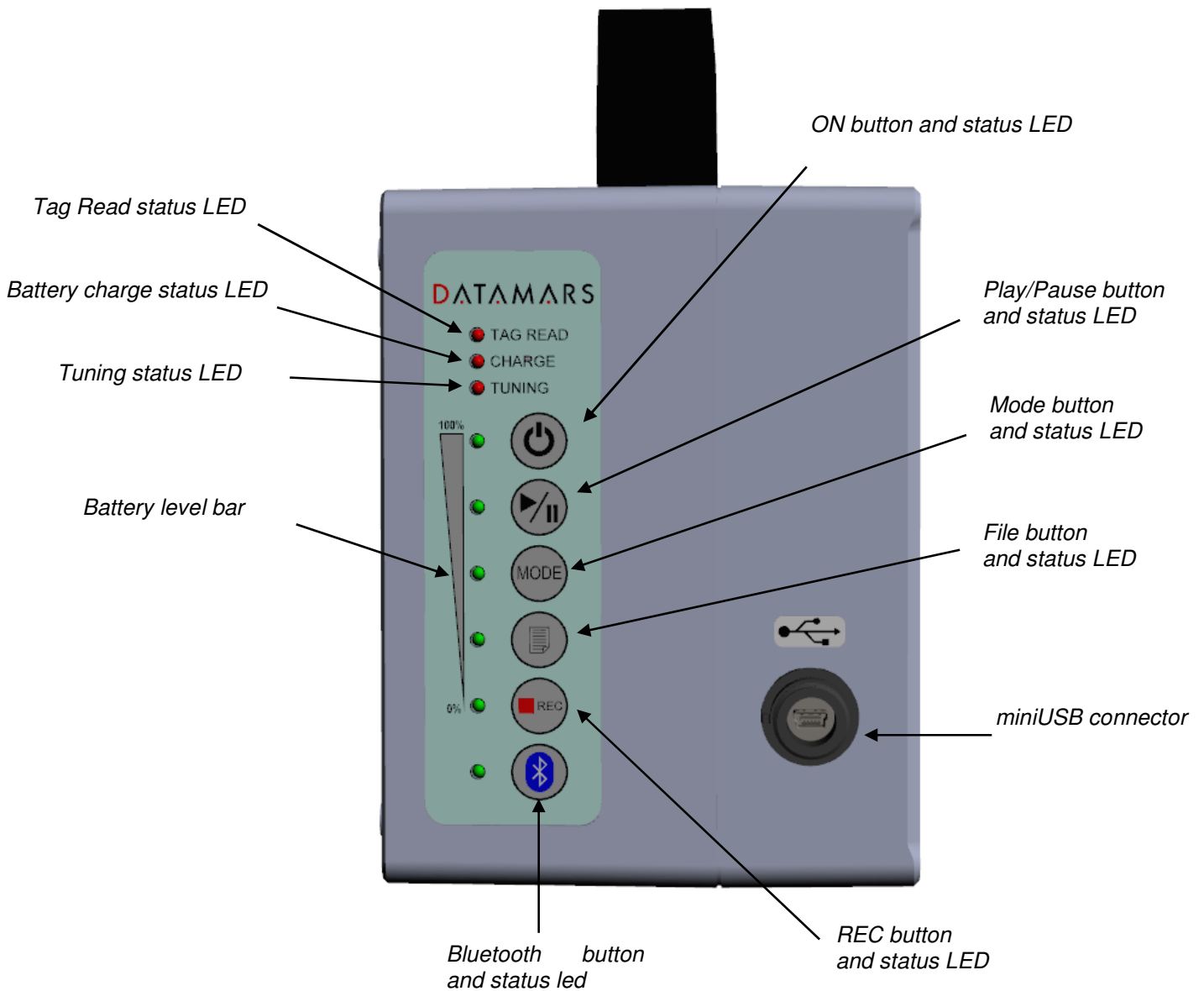
1 Description

1.1 General description

The F310 is an RFID reader especially designed and developed for the Livestock market. The F310 is compliant to ISO24631 specification. The device can be easily integrated in an automated stationary system in ranches and farms, as well as it can be used in application for the reading of animal on the move. The additional antenna Gesant can be purchased separately and it allows multiple reading sites.

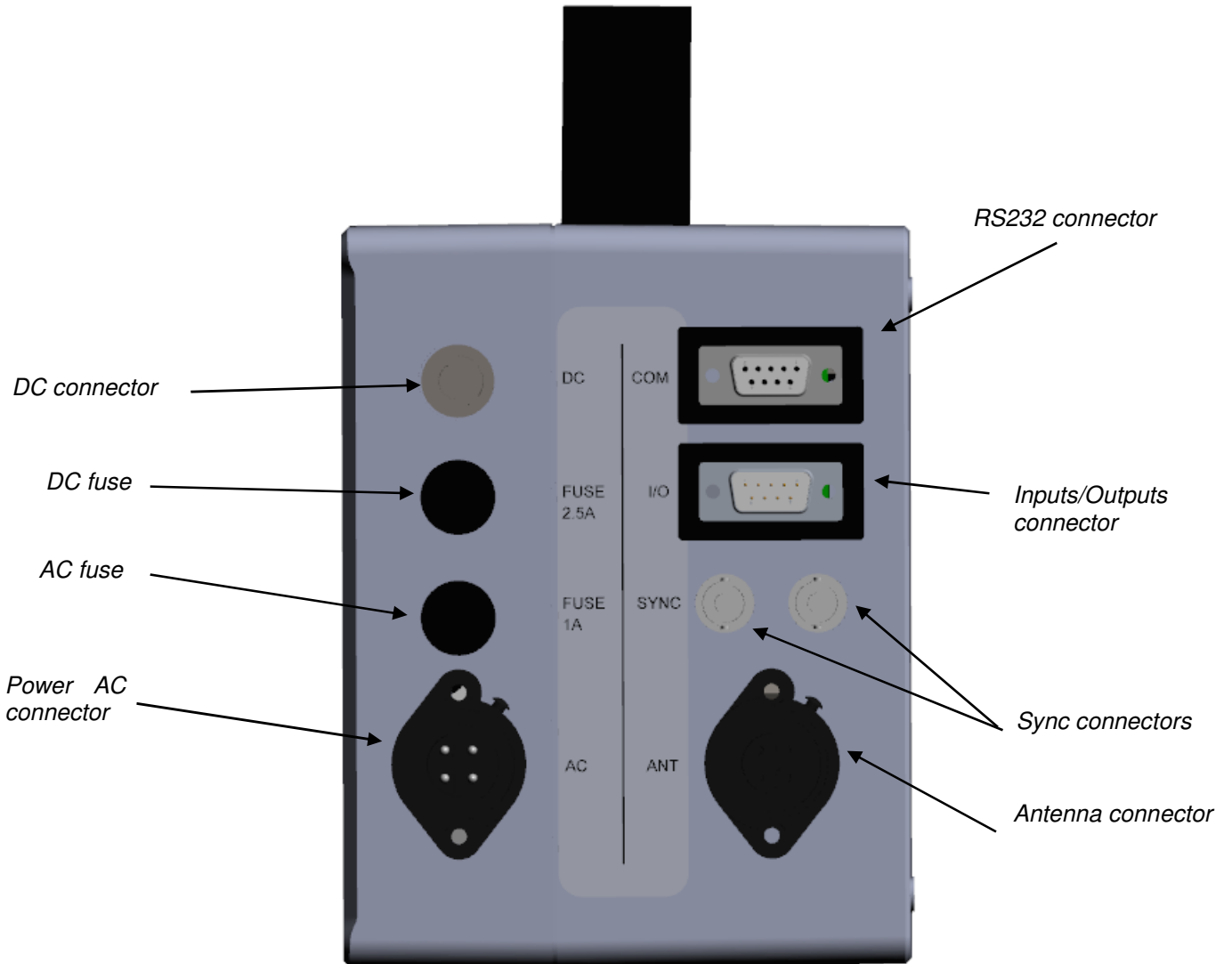
1.2 Front panel overview

F310 user interface

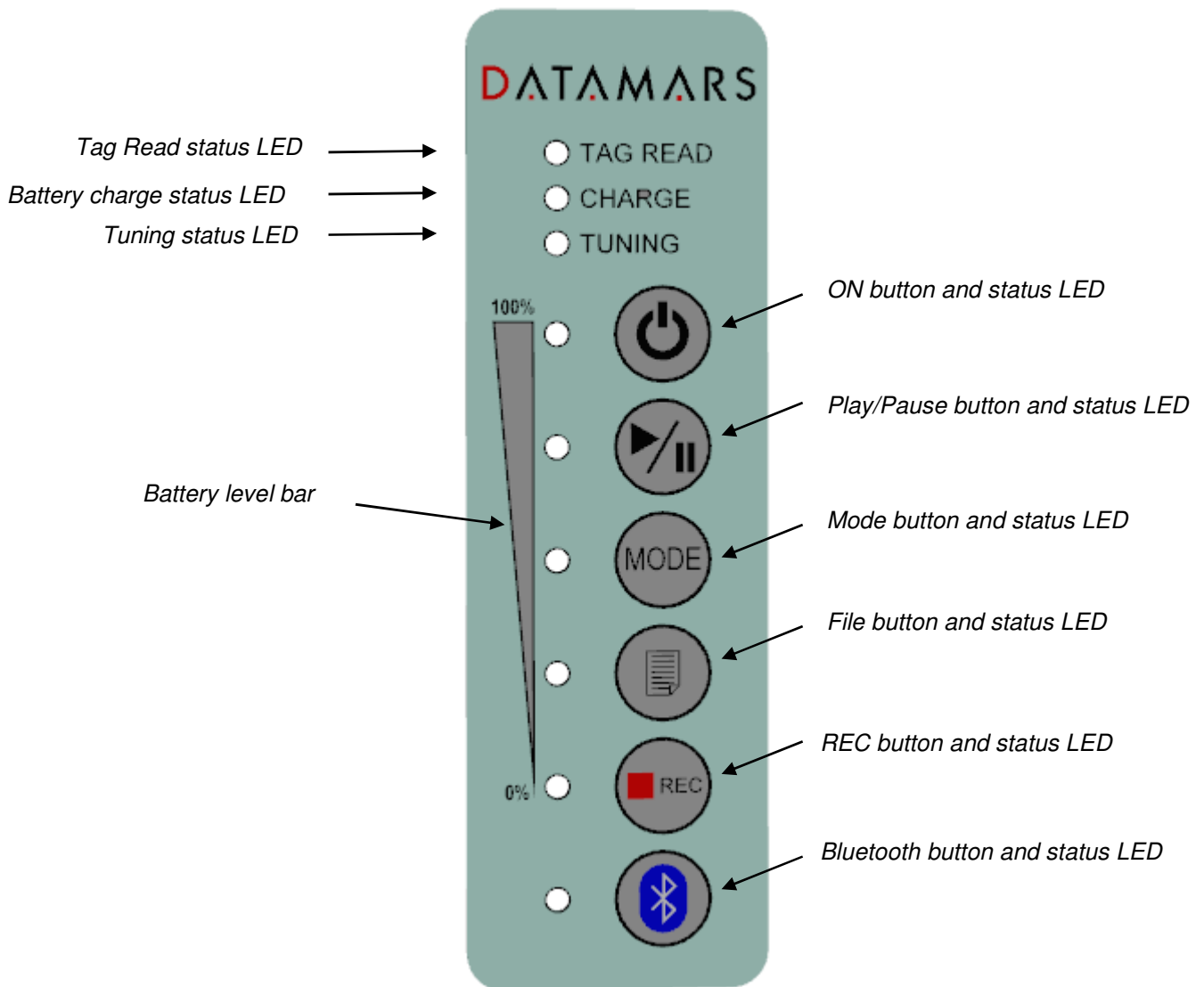


1.3 Back panel overview

F310 connectors interface



2 User interface



2.1 ON button

To switch on the reader, press the ON button, while to switch off the reader hold the ON button more than 2 seconds.

Through the PC software Rumisoft, the F310 reader can be set up in order to automatically switch off after a predefined time of inactivity.

2.2 Battery level bar

The battery level bar shows the status of charge of the battery. During start-up the reader shows the battery level for 3 seconds. In order to show the battery level while the reader is on, but not in Play mode, click the ON button briefly.

2.3 PLAY/PAUSE button

The Play/Pause button allows to start and stop a reading session. When the LED is on, the device is reading. When the LED is off the device is in pause, if the LED is blinking the device can be in Power Save Mode or in case of Synchro process it operates in a passive way.

2.4 Autotuning

The Autotuning of the antenna is performed by holding down the PLAY/PAUSE button for 2 seconds. Once the autotuning is done, the reader makes two short beeps.

2.5 MODE button

The Mode button allows to select the reading mode. There are three different options: continuous (LED green), buffered (LED yellow) and single mode (LED off).

2.5.1 Continuous mode

When Continuous mode is selected, the device reads and sends the ID code of the tags continuously.

2.5.2 Buffered mode

When Buffered mode is selected, the reader reads continuously but it sends an ID code just the first time a TAG is read. The device does not send any ID code until another tag is read.

2.5.3 Single mode

When Single mode is selected, the device reads for a pre-determinate time. If a tag is read during this time slot, the reader shows the ID code and stop reading. If no tag is read during this time slot, the reader stops the reading session. The parameter "reading time" can be changed using the Rumisoft PC software.

2.6 FILE button

The FILE button creates a new file in order to store the ID codes which are going to be read. The file is saved in the folder "Reading Session" and its name is the current date and time according to the following format:

F310DATA_yyyymmdd_hhmmss.rc2

2.6.1 Create a new file

In order to create a new file, click the File button. When the "REC" button is pressed, the LED near the "File" button will be lit indicating that the file is empty. When the first ID code will be stored, the LED will switch off.

2.7 REC button

Press the REC button to enable the F310 to store the ID codes read in the file. When the LED is lit the function is enabled.

2.8 BLUETOOTH button

Press the Bluetooth button to enable the wireless Bluetooth interface of the reader in order to connect it to a PC. The blue LED blinks until the connection to the PC is not established. When the connection between PC and F310 is active the LED is lit continuously. In order to disable the wireless Bluetooth interface press the Bluetooth button again.

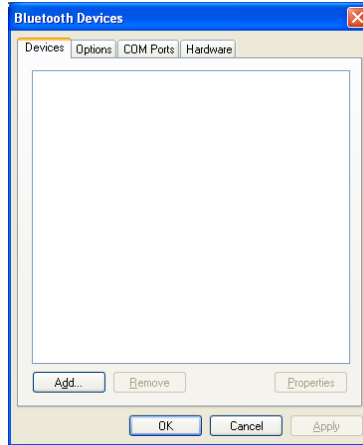
Bluetooth module can be disabled also with Rumisoft. If the Bluetooth module is disabled, the reader makes a beep when the Bluetooth button is pressed in order to establish a connection.

2.8.1 Configure the F310 for the Bluetooth connection

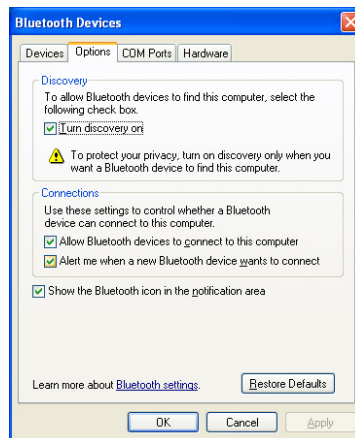
During the Bluetooth discovery process done by the PC, it is important that the F310 reader is ON and the Bluetooth LED blinks.

2.8.2 Search for and recognize the F310 by a host PC

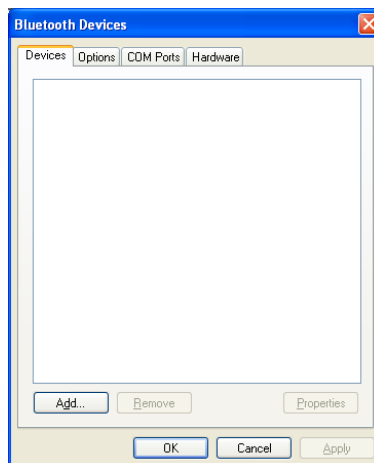
Be sure the computer is equipped with Bluetooth hardware too. From the control panel choose *Bluetooth Device*. The following dialog window appears.



Select the *Options* tab, and then check the feature *Turn discovery on*.



Select the *Devices* tab.

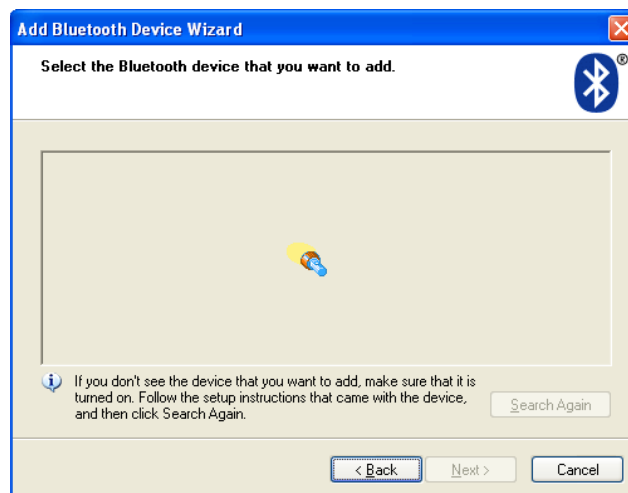


Check that the F310 reader is switched on and the Bluetooth enabled, then press the *Add* button.

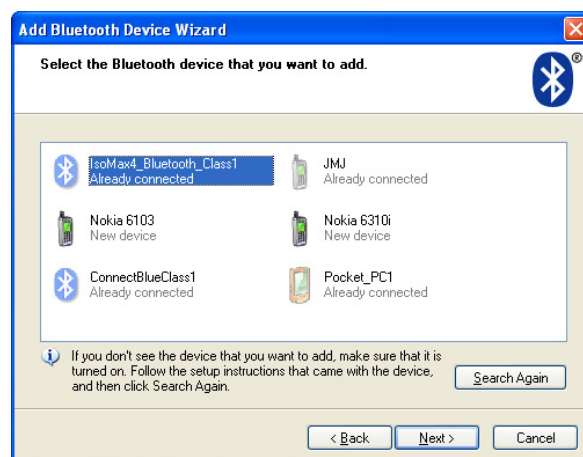


The welcome window for the configuration guide of the new Bluetooth peripheral appears.

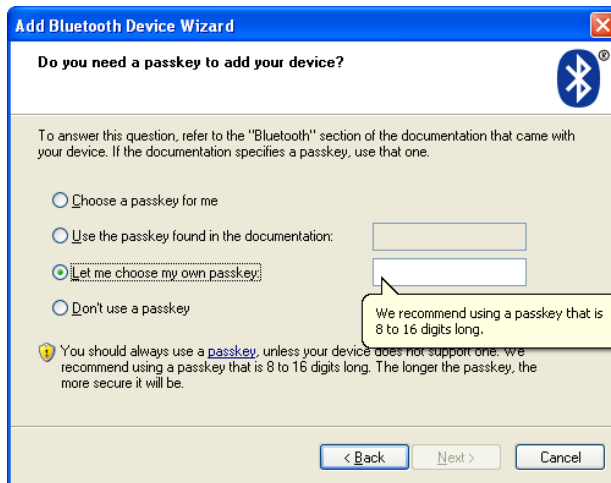
Press Next in order to start the search and recognize the procedure.



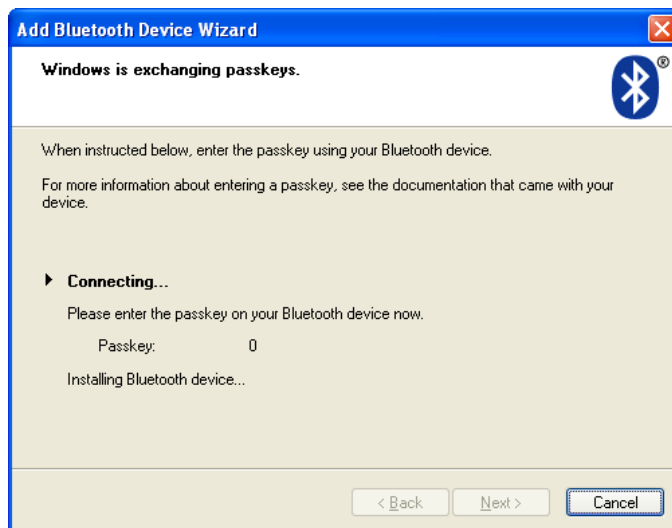
The result of the search and recognition procedure shows all Bluetooth devices which are nearby.



At this point select from the Bluetooth device list the one named "F310....." and press Next.

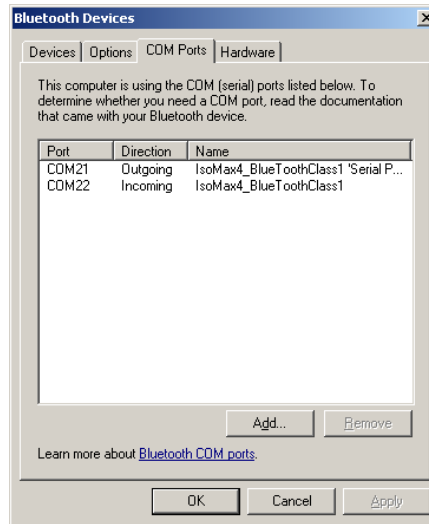


Select the option *Let me choose my own passkey* and input the number zero (just one 0 character). Press *Next* to continue.



Finally the F310 reader has been recognized and installed in your PC as a Bluetooth device. Press the *Finish* button.

At this point select the *COM Ports* tab and verify that two COM ports have been created: One called *Outgoing* and the other called *Incoming*.



The Outgoing COMxx allows a connection between the reader and the pc, but when one of the 2 devices is switched off or you lose the connection because of bluetooth out of range, the Outgoing Port get closed and you need to repeat the procedure next time you need the connection.

The Incoming COMxx allows the connection between the reader and the pc and it remains active, so that the connection starts automatically in case you switch off the reader or you lose the connection because of bluetooth out of range.

The COM numbering depends on your host PC, this number may be different from the one shown in the example.

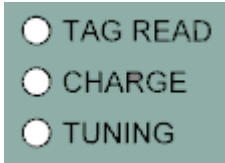
2.9 Real-time communication

Once the F310 has been found by your PC through Bluetooth connection, a new port COM is added to your PC. Select this port COM from any program which is supposed to communicate to the reader. In order to test the port COM, a HyperTerminal session (in Windows) can be opened. Please verify on your F310 that the Bluetooth LED is on continuously.

To open a new HyperTerminal session:

1. Select the Start menu.
2. Choose Programs.
3. Choose Accessories.
4. Choose Communication.
5. Launch HyperTerminal.
6. A dialog box appears.
7. Input a session name (i.e. F310).
8. Press the OK button.
9. Select the COM port assigned to the F310.
10. Input the corresponding BAUD rate.
11. Select the following options: Baud rate= 115200, data bits = 8, parity = none, stop bits = 1, flow control = none.
12. Press the OK button.
13. Now the HyperTerminal session is ready to start, just click on the calling icon or select Call under the Call menu.
14. At this point you are ready to receive the codes read directly on your PC.
15. Press PLAY/PAUSE button and read a transponder.
16. The ID code will be shown on the HyperTerminal window.

2.10 Status LEDs



2.10.1 Tag Read LED

When the LED Tag Read is lit, the device is reading a transponder.

2.10.2 Charge LED





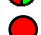
The Charge LED shows when the reader is charging the battery.

If the LED blinks while the reader is running in battery mode, it means that the battery is low and need to be charged.

If the LED blinks while the reader is connected to a power supply either AC or DC, a charge error occurred (temperature out of range or DC IN voltage is too low).

2.10.3 Tuning LED

The Tuning LED shows the status of the tuning of the antenna connected to the device.

-  If the led is green: the antenna tuning is ok.
-  If the led is blinking green: a noise (FDX channel) is detected.
-  If the led is blinking red: a noise (HDX channel) is detected.
-  If the led is blinking red/green: both noises are detected.
-  If the led is red (only in pause mode): the antenna is not correctly tuned.

2.11 USB interface

An USB cable is provided to connect your reader to a computer. Insert the mini USB plug of the USB cable into the connector of the F310 reader; insert the other cable's plug into the computer's USB port.

The F310 reader will automatically switch on in Mass Storage Device mode, the connection between the reader and the PC is now established, and a pop-up window will appear on your computer monitor, showing the contents of the F310 embedded Memory Card.

2.12 Power Safe Mode

Power Safe Mode is disabled by default, it must be enabled through RumiSoft or using the RS232 command .PS .

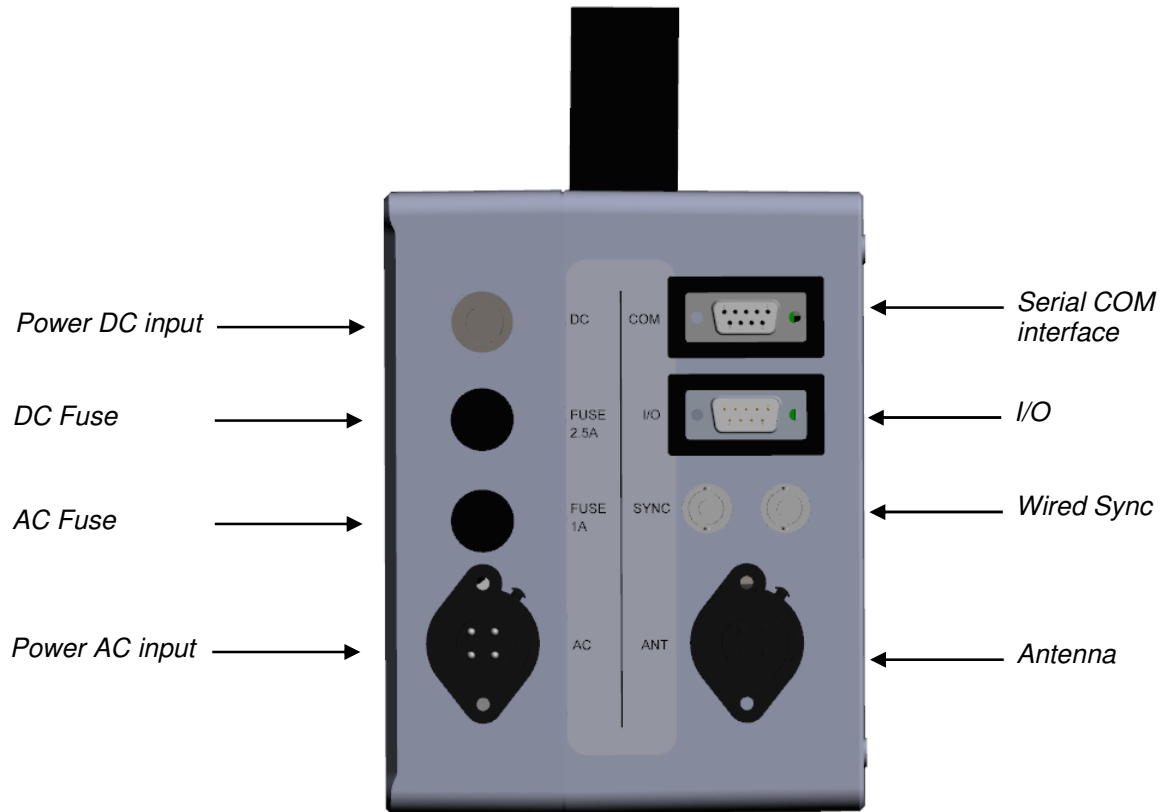
In this special operating mode of F310, the lifetime of the battery is increased up to 10 hours. The Power Safe Mode function can be enabled only in ISO Mode (if the reader works in Synchro Mode this function is not enabled).

2.13 Wrong country code identification

If the country code of an electronic tag is not correct, the F310 reader identifies it by a longer beep and sends via RS232 the following message: "wrong country code".

3 Connectors

All the reader's connectors are on the back as shown in the picture below:



3.1 Power AC input

The F310 can be connected to the Power line AC either 110V/60Hz or 220V/50Hz.
The cable is connected as follows:

Pin	Cable color	Description
1	Brown	L
3	Blue	N
GND	Yellow/green	GND

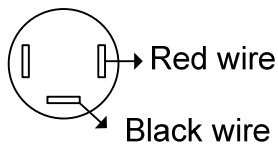
3.1.1 AC Fuse

The AC fuse has the following specifications:
Fusible 5 x 20 mm, 1 A, 250 VAC, Time-lag.
Unplug the AC connector to disconnect the device.

3.2 Power DC input

The reader can be powered also with DC from 12 to 14V.

The DC connector is cabled as follows (bottom view):



Note: remember to insert the heatshrink on the wires before soldering

3.2.1 DC Fuse

The DC fuse has the following specifications:
Fusible 5 x 20 mm, 2.5 A, 250 VAC, Time-lag

3.3 Antenna

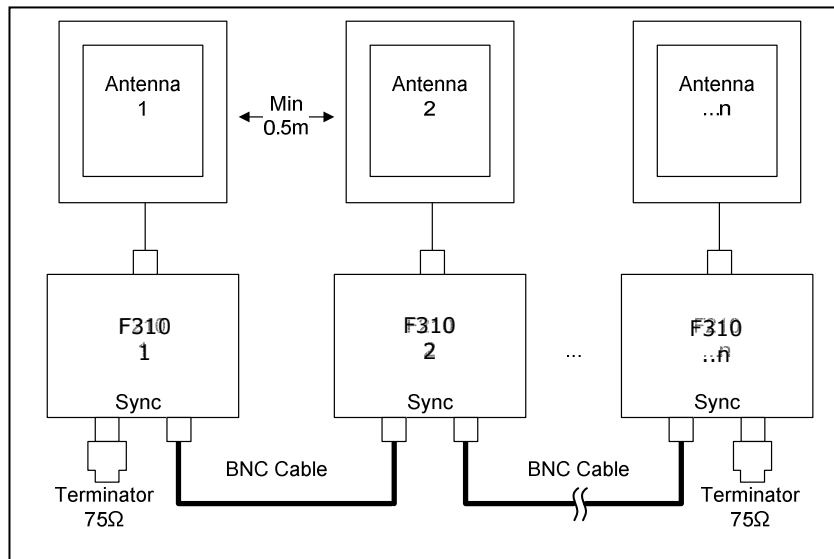
The antenna is connected between pin2 and pin GND of the antenna connector.

3.4 Wired Sync

The F310 reader can be connected together with other F310 readers in order to operate in synchronous mode.

The synchronous mode allows using several readers systems (reader + antenna) close together.

To connect the F310 to others devices proceed as follows:



When the reader is working in Wired Sync, the PLAY/PAUSE LED status can be in solid green if the reader is operating as Master, if the led is blinking the reader is operating as Slave.

In Synchro mode the reading cycles will not respect the Iso standard, but will be 50ms field on, and 20ms field off.

Note: for a correct operation the 75Ω terminator must be kept on one of the BNC connectors.

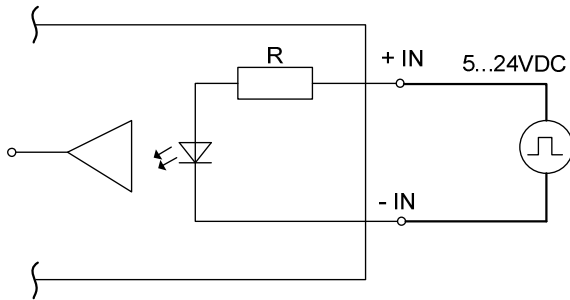
3.5 I/O

Signal	Description	DSUB pin
+ IN1	Positive input 1 terminal	1
- IN1	Negative input 1 terminal	2
+ IN2	Positive input 2 terminal	4
- IN2	Negative input 2 terminal	5
+ OUT1	Positive output 1 terminal	6
- OUT1	Negative output 1 terminal	7
+ OUT2	Positive output 2 terminal	8
- OUT2	Negative output 2 terminal	9

The Input and Output 2 have to be set using the commands .RIN and .SOUT. The Input 1 and Output 1 are ready to respond without any further command.

3.5.1 Input

Example of connection for the Input:



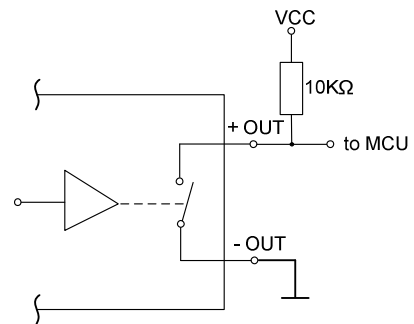
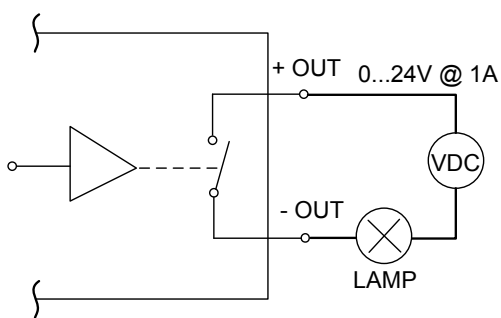
MIN U _{in}	5V
MAX U _{in}	24VDC
MIN I _{in}	3mA
MAX I _{in}	10mA

Input functions:

GPIO	Main function	Seconadry function
INPUT TRIGGER (1)	Start a single reading session. The reading session time can be programmed by user.	This input can wake up the device when it is switched off.
INPUT AUX (2)	This auxiliary input can be read by the USER through a serial command. .RINA (read the input aux command) INA =1 (when the input is active) INA=0 (when the input is not active)	This input can weak up the device when it is switched off.

3.5.2 Output

Examples of connection for the Outputs:



MAX Uout 24VDC
 MIN Uout 0VDC
 MAX Iout 1.0A

Output functions:

GPIO	Main function	Secondary function
OUTPUT TAG READ (1)	This output is activated when a tag is read.	none
OUTPUT AUX (2)	This auxiliary output can be written by the USER through a serial command .SETOUTA 10 (activate the output aux during 1.0 sec)	none

3.6 Serial COM interface

The Serial COM interface is connected as follows:

Pin	Cable color	Description
2	Orange	RX
3	Red	TX
5	Brown	GND

4 Command interface

4.1 Command overview

F310 is controlled through a serial interface, configured as following:

- Baud rate: 9600, 14400, 38400, 57600, 115200 (default).
- Data: 8 bit
- Parity: none
- Stop: 1 bit
- Flow control: none

Tera Term VT or Hyperterminal are examples of available PC software that allow to setup and control the reader F310. In the following Tera Term is used.

Connect a PC running Tera Term to the F310, setup the serial port and turn on the F310. The following output is displayed:

```
DATAMARS S.A. F310 firmware version: (1.2) 1.0.2  
BL: 2732
```

The following table summarizes the F310 commands which were present in the old version of the reader:

CMD	Description Old commands	Parameter	Range
V	Get reader version		
Esc	Start continuous reading in buffered mode		
L	Start continuous reading mode		
X	Stop continuous reading/ Start single reading mode		
B	Show buffer content in buffered mode (the last 16 tags read)		
C	Clear reader buffer		

The following table summarizes the new F310 commands:

CMD	Description New commands	Parameter	Range
.V	Get reader version (bootloader) Application		
.T	Save FDXB and HDX acquired signal		
.ATNG	Start antenna autotuning		
.DTNG	Start/Stop debugging antenna tuning level		
.DCHR	Start/Stop debugging charger state		
.DBAT	Start/Stop debugging battery level		
.DHMI	Print Human User Interface state		
.SHDX	Select/Deselect		
.RIN	Read I/O Input2 value		
.SOUT	Set I/O Output2 value, for <time> ms [1-50]	Time	1-50 (ms)
.SDATE	Set Date using format dd/mm/yyyy	dd/mm/yyyy	
.STIME	Set Time using format hh:mm:ss	hh:mm:ss	
.GDATE	Get Date using format dd/mm/yyyy		
.GTIME	Get Time using format hh:mm:ss		
.PS	Enable/disable Power Save Mode		
.MODE	Switch from ISO mode to Synchro mode and viceversa. The reader always switches on using default value (ISO).		
.BLUD	Reserved		
.SDCF	Enable/Disable double check on FDXB (default is enabled)		
.GDCHF	Get status of double check on FDXB		
.SDCH	Enable/Disable double check on HDX (default is enabled)		
.GDCH	Get status of double check on HDX		
.GLPT	Read Low Power timeout value		

An online command short description can be displayed sending the command “?”:

```
----- Command Line Help -----
V    -> Get reader version
Esc  -> Start continuous reading in buffered mode
L    -> Start continuous reading mode
X    -> Stop continuous reading/ Start single reading mode
B    -> Show buffer content
C    -> Clear reader buffer
----- New Commands -----
.V   -> Get reader version (bootloader) Application
.T   -> Save FDXB and HDX acquired signal
.ATNG -> Start antenna autotuning
.DTNG -> Start/Stop debugging antenna tuning level
.DCHR -> Start/Stop debugging charger state
.DBAT -> Start/Stop debugging battery level
.DHMI -> Print Human User Interface state
.SHDX -> Select/Deselect
.RIN  -> Read I/O Input2 value
.SOUT -> Set I/O Output2 value, for <time> ms [1-50]
.SDATE -> Set Date using format dd/mm/yyyy
.STIME -> Set Time using format hh:mm:ss
.GDATE -> Get Date using format dd/mm/yyyy
.GTIME -> Get Time using format hh:mm:ss
.PS   -> set Power Save Mode
.MODE -> set ISO on Sync Mode
.BLUD -> Reserved
.PS   -> Set Power Save Mode
.SDCF -> Enable/Disable Double Check on FDXB
.GDCF -> Get Status of Double Check on FDXB
.SDCH -> Enable/Disable Double Check on HDX
.GDCH -> Get Status of Double Check on HDX
.GLPT -> Read Low Power timeout value
-----
```

4.2 Command description

To ensure backward compatibility, the basic commands are identical on the F210 and the F310 readers and are composed just by a character. They don't need any other special character to be executed.

All the new commands, available only on the F310 reader, always start with a '.' (dot) followed by the command name, a space and eventually an integer parameter, and end with a carriage return character ([CR]=13 dec).

.CMD <PARAM>

4.2.1 Command: V

It returns the firmware version.

```
V
FW V1.0.2 (V1.2)
```

4.2.2 Command: Esc

It starts continuous reading in buffered mode.

```
Esc
```

EA 00000 0 0999 000000001328

4.2.3 Command: L

It starts continuous reading mode.

```
LLA 00000 0 0999 000000001328
LA 00000 0 0999 000000001328
LA 00000 0 0999 000000001328
LA 00000 0 0999 000000001328
LA 00000 0 0999 000000001328
LA 00000 0 0999 000000001328
```

4.2.4 Command: X

It stops continuous reading or start single reading mode Tag Tester software reset.

XXA 00000 0 0999 000000001328

4.2.5 Command: B

Shows the content of the read buffer (which consists of the last 16 tags read when buffered mode is enabled – see Mode Button)

The example below shows the 'B' command output when only 2 tags have been read.

```
B
00] A 00000 0 0999 000000000002
01] A 00000 0 0982 000162091666
02] --empty--
03] --empty--
04] --empty--
05] --empty--
06] --empty--
07] --empty--
08] --empty--
09] --empty--
10] --empty--
11] --empty--
12] --empty--
13] --empty--
14] --empty--
15] --empty--
```

4.2.6 Command: C

It clears reader buffer.

CC

4.2.7 Command: .V

It gets reader version (boot loader) application.

```
.V
FW V1.0.2 (V1.2)
```

4.2.8 Command: .T (only for debug mode)

Only for debug mode: it saves FDXB and HDX acquired signal.

.T
DC Level: 2051
FDX Noise Floor: 1929740 (2500000)
fdxbDC: 2056
fdxbSynch: 17
fdxbHeader: 224
FDXB Done: decoderTAGFOUND
Decoding total time: 30

hdxZeroSize: 61
hdxSynch: 669
hdxOneSize: 67
HDX Done: decoderHEADERERROR
Decoding total time: 7

DC Level: 2041
HDX Noise Floor: 90392 (800000)
Noise Floor total time: 8

4.2.9 Command: .ATNG

It starts the antenna autotuning.

.ATNG
Autotuning: 17 : 3854

4.2.10 Command: .DTNG (only for debug mode)

It starts/stop the debugging antenna tuning level.

.DTNG
Tuning level: 3913 (3856, 385)
Tuning level: 3907 (3856, 385)
Tuning level: 3920 (3856, 385)
Tuning level: 3917 (3856, 385)
Tuning level: 3915 (3856, 385)
Tuning level: 3908 (3856, 385)
.DTNG

4.2.11 Command: .DCHR (only for debug mode)

It starts/ stop the debugging charger state.

.DCHR
CS: 0
CS: 0
CS: 0
CS: 0
CS: 0

4.2.12 Command: .DBAT (only in battery mode and for debug mode)

Only in battery mode: It starts/ stop the debugging battery level (one measurement every minute).

.DBAT
BL: 2742
BL: 2741
BL: 2740

4.2.13 Command: .DHMI (only for debug mode)

Only for debug mode: It print Human User Interface state.

```
.DHMI  
hmi state: 0
```

4.2.14 Command: .SHDX

It select/deselect the TI front end

```
.SHDX  
TI Front end enable
```

4.2.15 Command: .RIN

It reads I/O Input 2 value. Active Low.

```
.RIN  
1
```

4.2.16 Command: .SOUT

It set I/O Output 2 value, for <time> tenths of second [1-50]. Active High.

```
.SOUT <time>
```

In example: if SOUT value is 10, the I/O output 2 is set to 1 during 1second.

4.2.17 Command: .SDATE

It set the date using dd/mm/yyyy format.

```
.sdate 31/10/2011  
Date: 31/10/2011
```

4.2.18 Command: .STIME

It set the time using hh:mm:ss format.

```
.STIME 16:40:30  
Time: 16:40:30
```

4.2.19 Command: .GDATE

It gets the date using the dd/mm/yyyy format.

```
.GDATE  
Date:31/10/2011
```

4.2.20 Command: .GTIME

It get the time using the hh:mm:ss format.

```
.GTIME  
Time: 10:07:18
```

4.2.21 Command: .PS

It enables/disables the Power Save Mode in order to increase the duration of the battery up to 10 hours.

```
.PS  
Power Save Mode enabled  
.PS  
Power Save Mode disabled
```

4.2.22 Command: .MODE

It switches the reader from ISO mode to Sync Mode and vice-versa.

```
.MODE  
ISO Mode Enabled  
.MODE  
DM Sync Mode Enabled
```

4.2.23 Command: .BLUD

Command reserved to specialized personnel (service and support and/or repair centers).

4.2.24 Command: .SDCF and .GDCF

Enable/Disable double check on FDXB (.SDCF) and get status.

```
.SDCF  
Double check FDXB disabled  
.GDCF  
Double check FDXB enabled  
.SDCF  
Double check FDXB enabled
```

4.2.25 Command: .SDCH and .GDCH

Enable/Disable double check on HDX (.SDCH) and get status.

```
.SDCH  
Double check HDX disabled  
.GDCH  
Double check HDX enabled  
.SDCH  
Double check HDX enabled
```

4.2.26 Command: .GLPT

Read low power timeout value. The value is in sec and can be changed thru the config file in Rumisoft.

```
.GLPT  
Low Power timeout 60
```

5 Software Rumisoft

5.1 Introduction

Rumisoft is a software tool that can be used to manage the files of your device. It also allows the user to configure the reader with a user friendly graphic interface.

5.2 How to install Rumisoft

Rumisoft application can be found on the SD Memory card embedded in the reader. To install it, connect the F310 to the PC and when the pop-up window appears, select "SD Memory Card". Click on the Doc folder and then select "setup.exe". After that operation, follow the instructions on the screen to complete the installation of the Rumisoft.
For more information please refer to the "Rumisoft User Manual".

5.3 Configuration of F310 Reader

Configuration of F310 can be changed through the SW RumiSoft. For details refer to the Rumisoft User Manual.

6 Specifications

1. Storage temperature: -20 °C to +65 °C, 85% RH, non-condensing
2. Normal operating temperature: -5 °C to +55 °C, 85% RH, non-condensing
3. Charging temperature: +5 °C to +40 °C, 85% RH, non-condensing
4. Housing material: PC/ABS
5. Protection Level: IP 66
6. Power supply: Li-Ion integrated battery pack
7. Battery life: >500 cycles.
8. Battery charging time: 3h
9. Continuous reading time: 3h. Up to 6h in Power Save mode (60 sec timeout)
10. Power supply (battery charger) : 110/240VAC and/or 12-14VDC
11. ID code storage capacity: > 2 millions ID records
12. Dimensions: 250mm (W) x 170mm (H) x 125mm (D)
13. Weight: 2250 g
14. Tag compatibility: FDX-B, HDX
15. Transmission frequency: 134.2 kHz
16. Interfaces to host PC: USB, RS-232 and Bluetooth.
17. Typical reading distance:
34mm FDX-B: up to 85cm
32mm HDX: up to 105cm
18. Additional external antenna: Gesant for cattle or ovine
19. Standards: ISO 11784/5

BATTERY CAUTION:

Only authorized recyclers are permitted to substitute the battery. Risk of explosion, by replacing the current battery with a different model. Please, dispose of used batteries according to local recycling law. Any attempted disassembly by a user or unauthorized party will void the product warranty and may irreparably damage the product

7 Warnings

7.1 Reading distance is too short

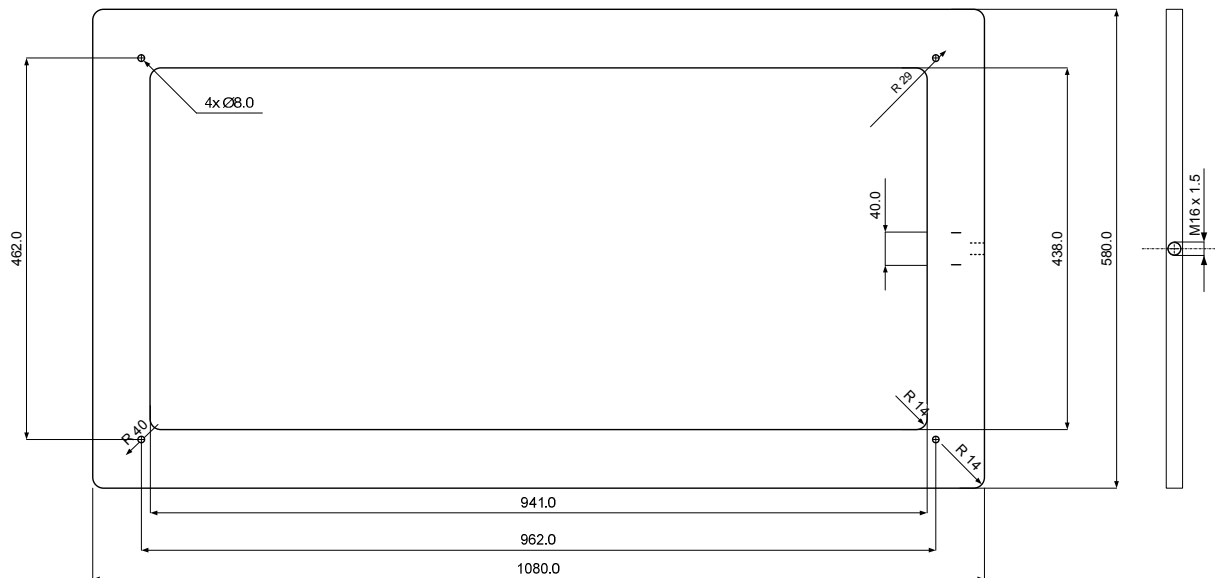
If the reading distance is too short, check that the sync terminator 75Ω is connected to one of the two Sync connectors.

7.2 Battery doesn't charge

If the device doesn't charge, please check the fuse.

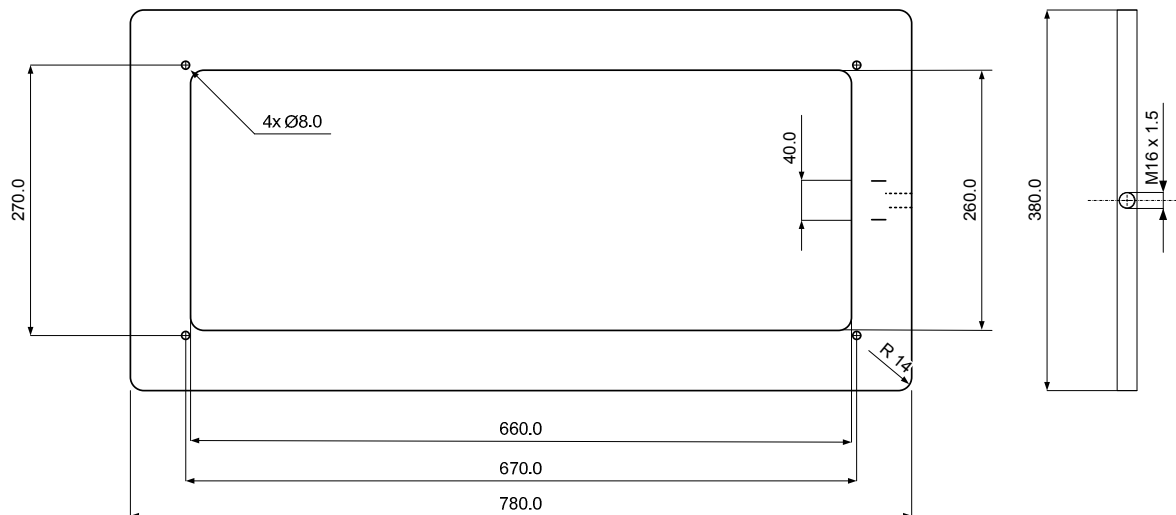
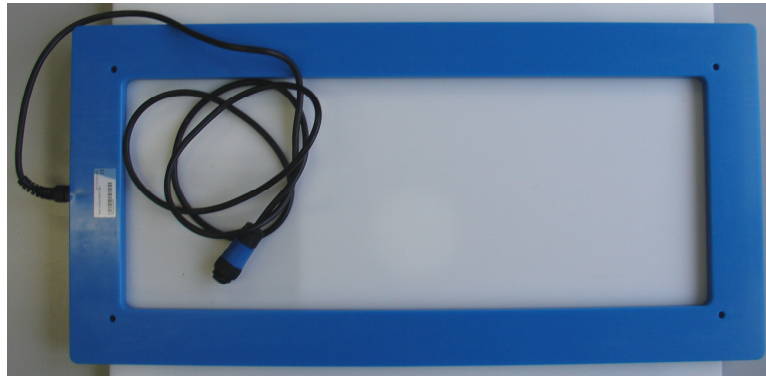
8 Antennas

8.1 Gesant Cattle antenna



Material: HMWPE (High Molecular Weight Polyethylene) blue
Dimension: 580mm (L) x 1080mm (H) x 20mm (P)
Weight: 5.5kg
Cable length: 2.50m

8.2 Gesant Ovine antenna



Material: HMWPE (High Molecular Weight Polyethylene) blue
Dimension: 380mm (L) x 780mm (H) x 20mm (P)
Weight: 3.5kg
Cable length: 2.50m